

BITEC[®] Compaflash flashing tubes are an easy-to-use solid stick of the same APP or SBS modified bitumen compound used in BITEC modified bitumen membranes. Compaflash APP & SBS bitumen can be used with fiberglass fabric or compatible modified bitumen roof membranes to make small repairs where the original membrane bitumen has become displaced or damaged. It is not intended for use as a substitute for a factory-manufactured modified bitumen membrane.

FEATURES & BENEFITS

BITEC Compaflash also provides the following features and benefits:

- Very easy to use
- Applies quickly
- Compaflash SBS can be used on asphalt built-up roofs (BUR) and SBS modified bitumen roofs
- Compaflash APP is designed specifically for use on APP modified bitumen roofs

seepage or spillage.

Safety first! The roofing contractor and employees are the key to success regarding safety. Safety should always be first! Read all label information, SDS, and precautions before using. For safety information on our products, please visit www.bitec.com.

PACKAGING

Package: Carton

Sticks per carton: 32

APPLICATION

Simply peel the silicone release paper tube casing from the solid compound, heat using a torch and trowel in for additional modified compound at flashing details. Please refer to the BITEC Roofing Products Installer's Guide for detailed application guidelines.

As with any roofing project, good roofing practices should always be followed.

STORAGE & HANDLING

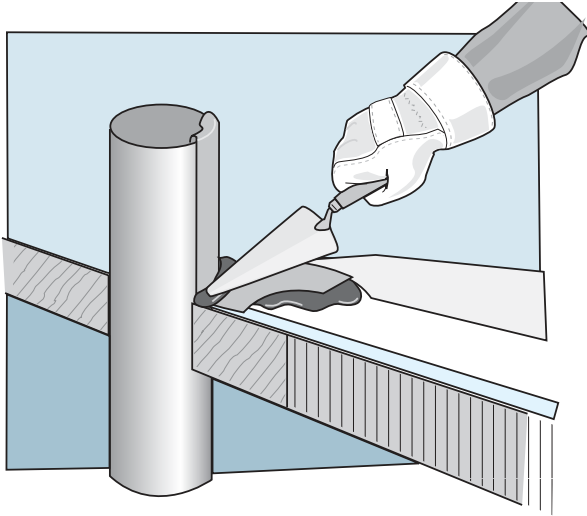
Store the Compaflash sticks in their original tubes with labels unbroken in a clean, dry, protected location and within the temperature range required to provide for proper application.

PRECAUTIONS

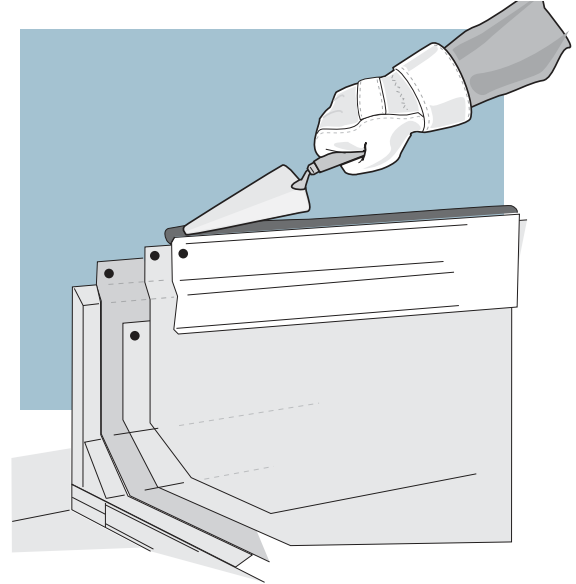
During application of Compaflash, it is essential that all safety procedures be followed. In all cases, follow CERTA (Certified Roofing Torch Applicator) safety guidelines, keep a properly maintained fire extinguisher within reach, and designate an employee to perform a fire watch for a minimum of 2 hours after torch application has ended.

Additional consideration should be given to working with molten modified bitumen compound, which can cause severe burns. For personal and property protection, make sure the area being covered has been sealed properly to prevent

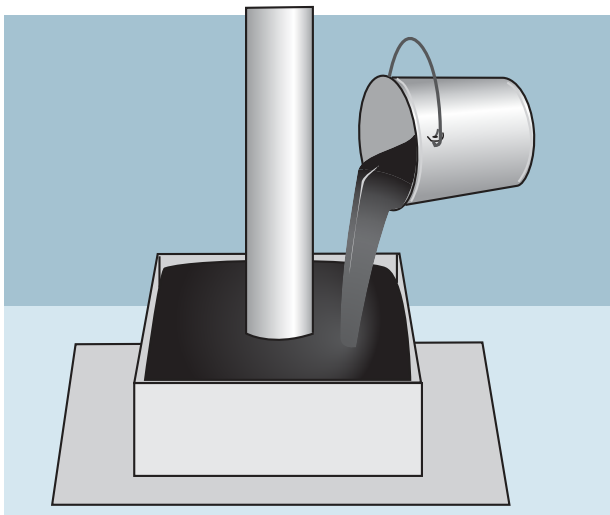
FOR PIPE PENETRATIONS



FOR WALL FLASHINGS



FOR PITCH PANS



All information is given in good faith but normal tolerances of manufacture and testing will apply. BITEC reserves the right to improve and change its products at any time without prior notice or advice. The use of BITEC products is determined by local conditions and individual requirements of each contract. In consideration of the many factors involved, BITEC cannot be held responsible for the improper application of its products and for conditions beyond its control. All claims filed against BITEC warranties will be subject to the provisions set forth at the date of the warranty issuance, and any addendum thereto. Under no circumstances will BITEC be held liable for any damage, whether personal injury or property damage, which occur during or after the application of any BITEC products.

Copyright BITEC, Inc.
Revision Date 12/2025



BITEC, Inc.
PO Box 497
#2 Industrial Park Dr
Morrilton, AR 72110
Phone: (800) 535-8597
Fax: (501) 354-3019
www.bitec.com